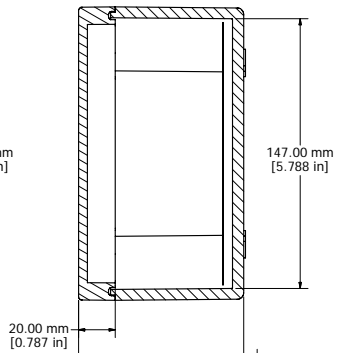
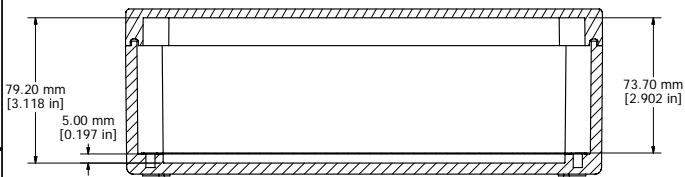
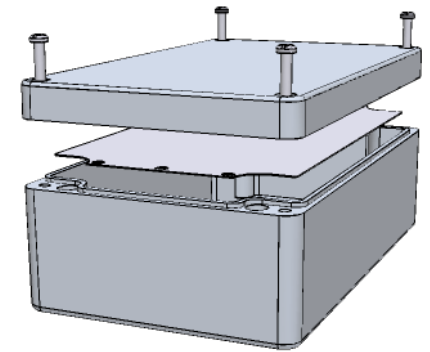


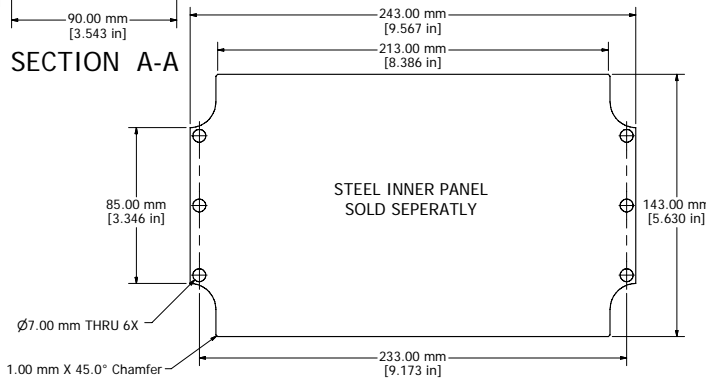
ASSEMBLY



SECTION A-A

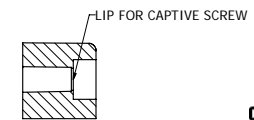


SECTION B-B



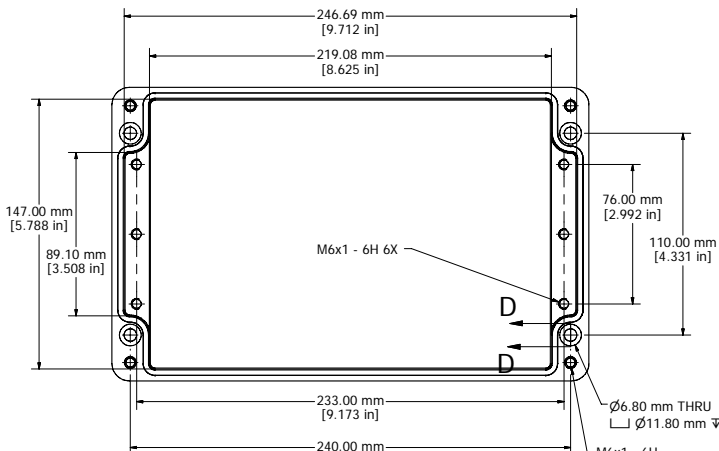
STEEL INNER PANEL  
SOLD SEPERATLY

INNER PANEL

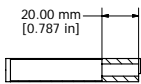


SECTION C-C

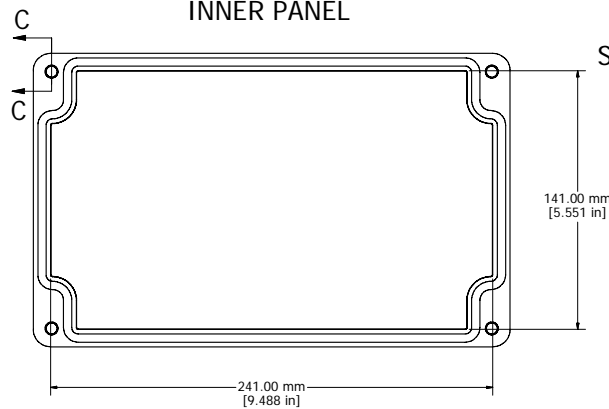
**UL** US LISTED  
File #E65324  
NEMA 4, 4X



BOX - INSIDE



SECTION D-D



LID - INSIDE

FIBERGLASS ENCLOSURE	
INCLUDES	
1	ENCLOSURE
4	M6 x 28mm PAN HEAD SCREWS
ACCESSORIES	
	STEEL INNER PANEL
	1590ZGRP162PL



**HAMMOND  
MANUFACTURING™**

1590ZGRP162

www.hammondmfg.com